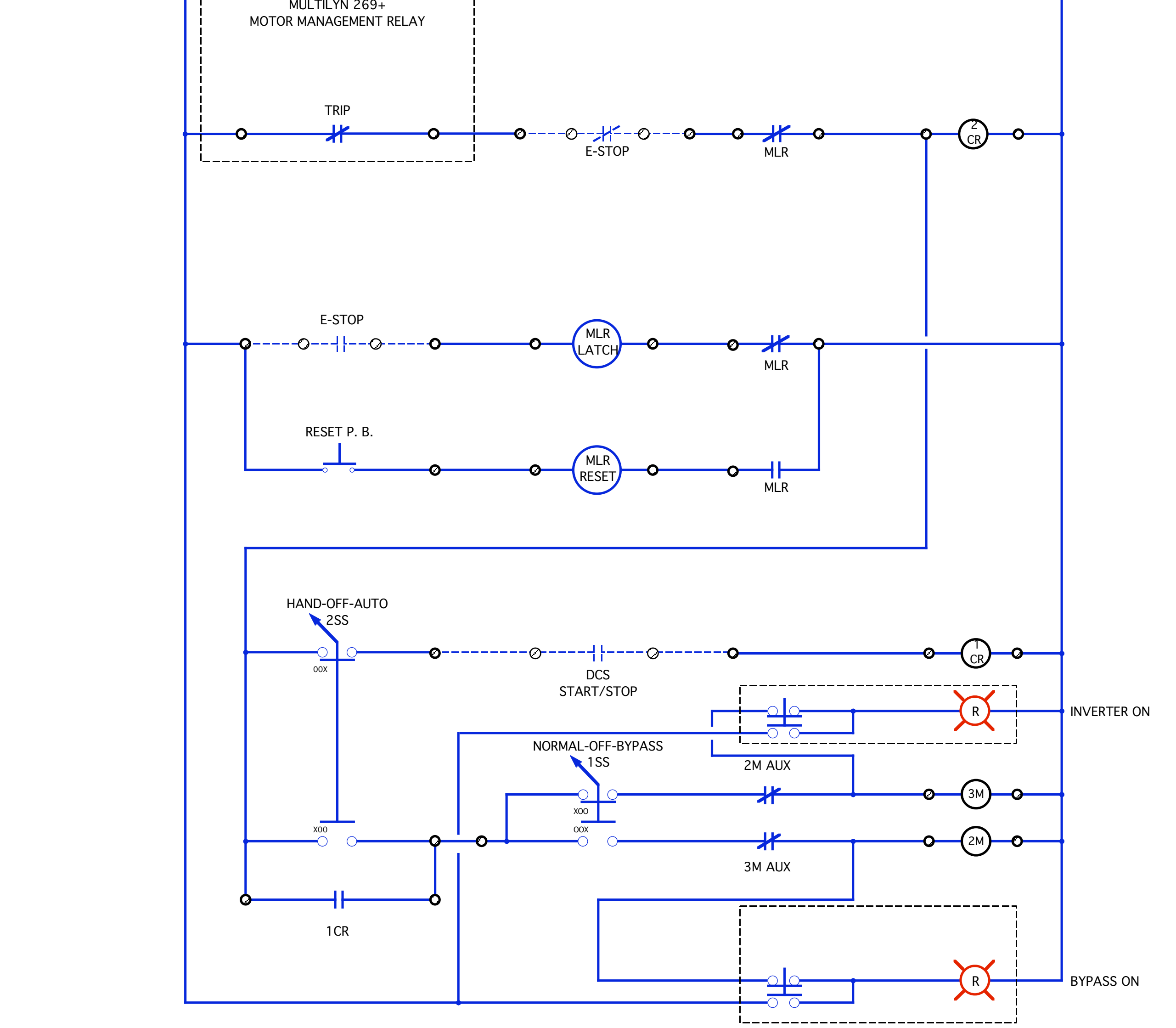
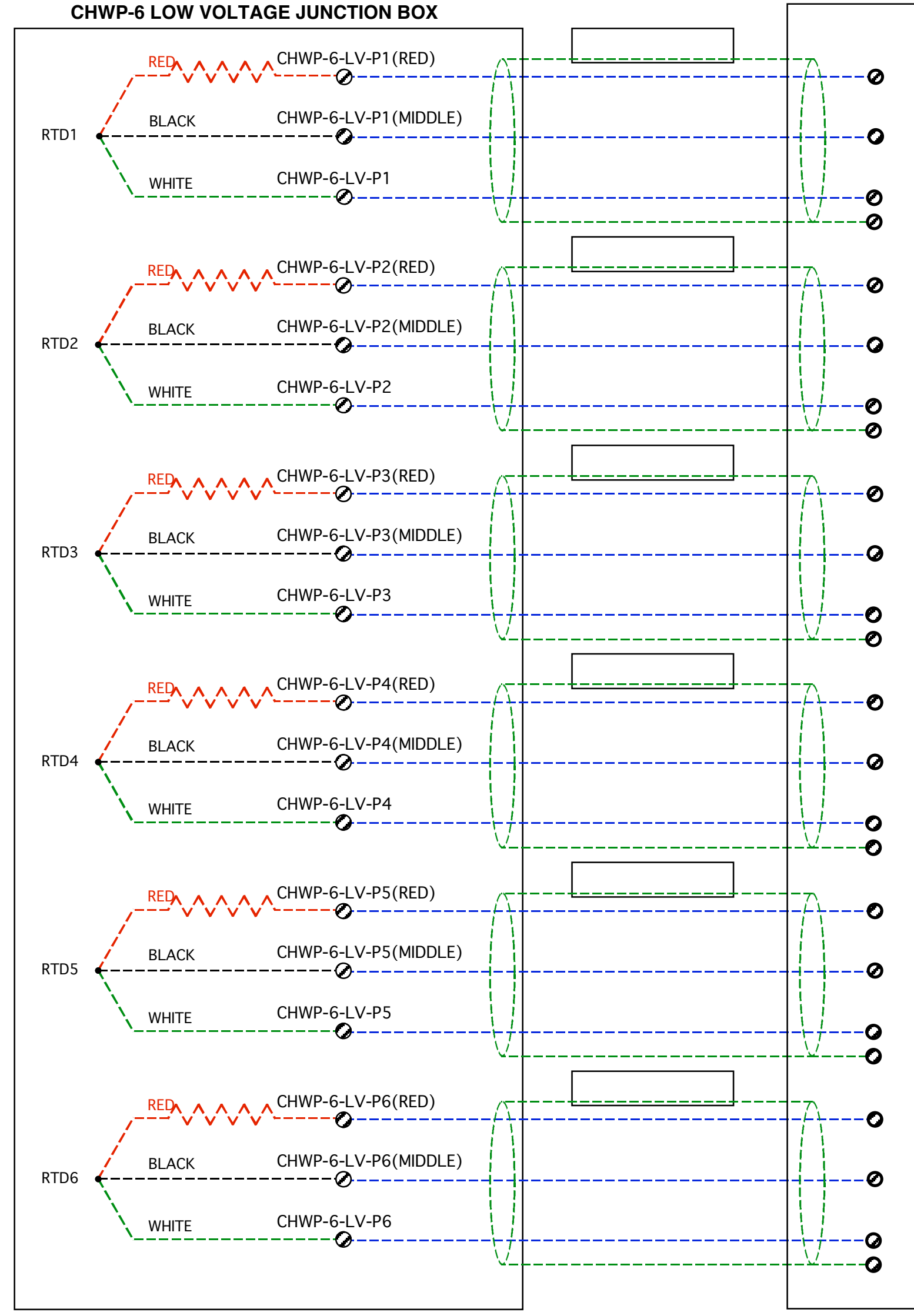


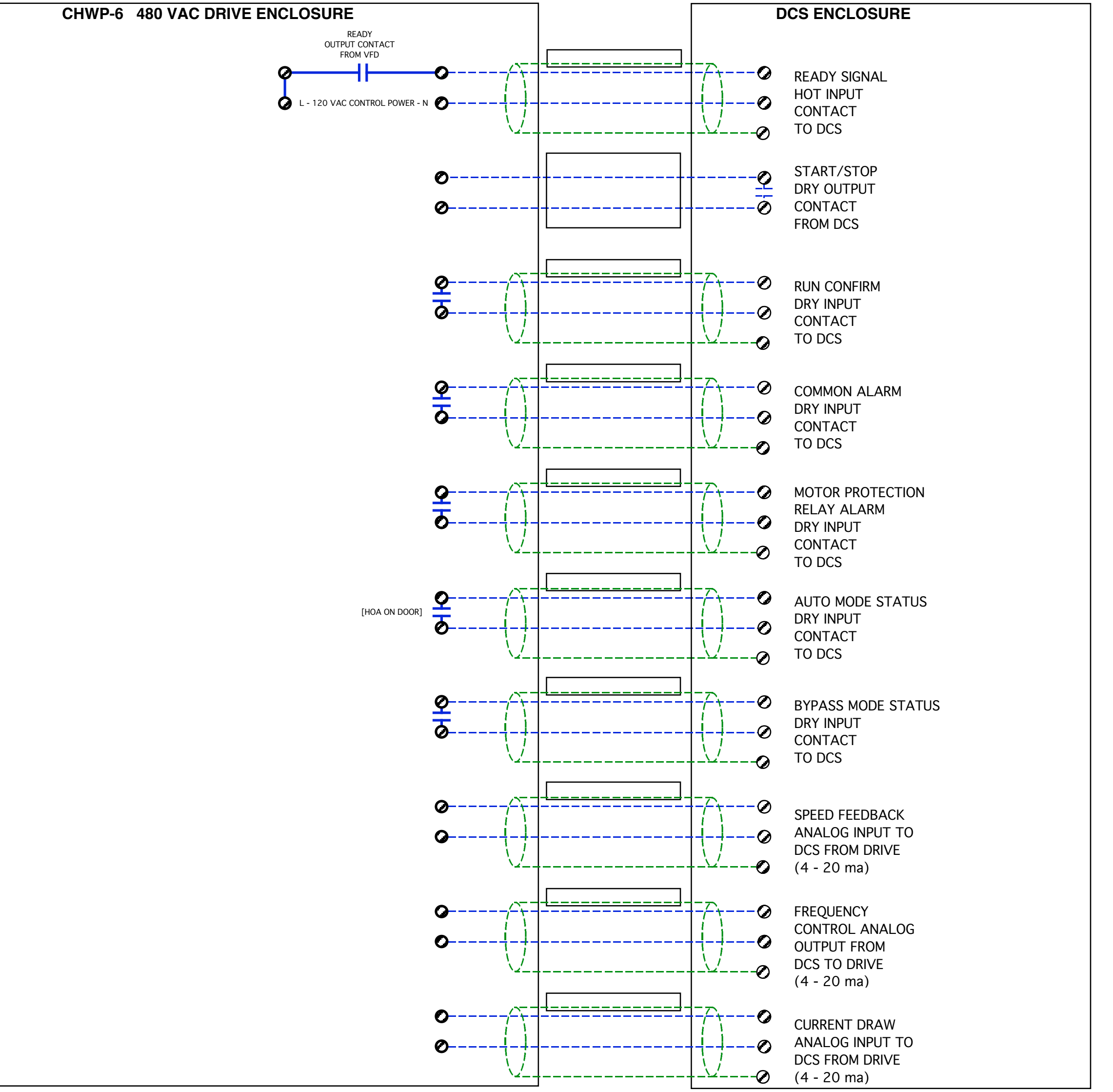
ELEMENTARY DIAGRAM - 480V CHILLED WATER PUMP CHWP-6
N.T.S.



CHWP-6 DRIVE CONTROL DIAGRAM
N.T.S.



CHWP-6 RTD WIRING TO VFD
N.T.S.



CHWP-6 DCS WIRING TO VFD
N.T.S.

REVISIONS		
NO.	DESCRIPTION	DATE
0	FOR PURCHASE SPECIFICATION	9/5/01

PROJECT No. : 00-0308
DATE : 9/5/01
DRAWN : R. D. Brock
CHECKED :
SCALE : AS NOTED

BUILDING 42
CHILLED WATER PUMP #6
ELECTRICAL INFORMATION
CHWP-6 CONTROL DIAGRAM AND
ASSOCIATED WIRING INFORMATION

CHWP-6
DWG-1
SPECIFICATION
DRAWING